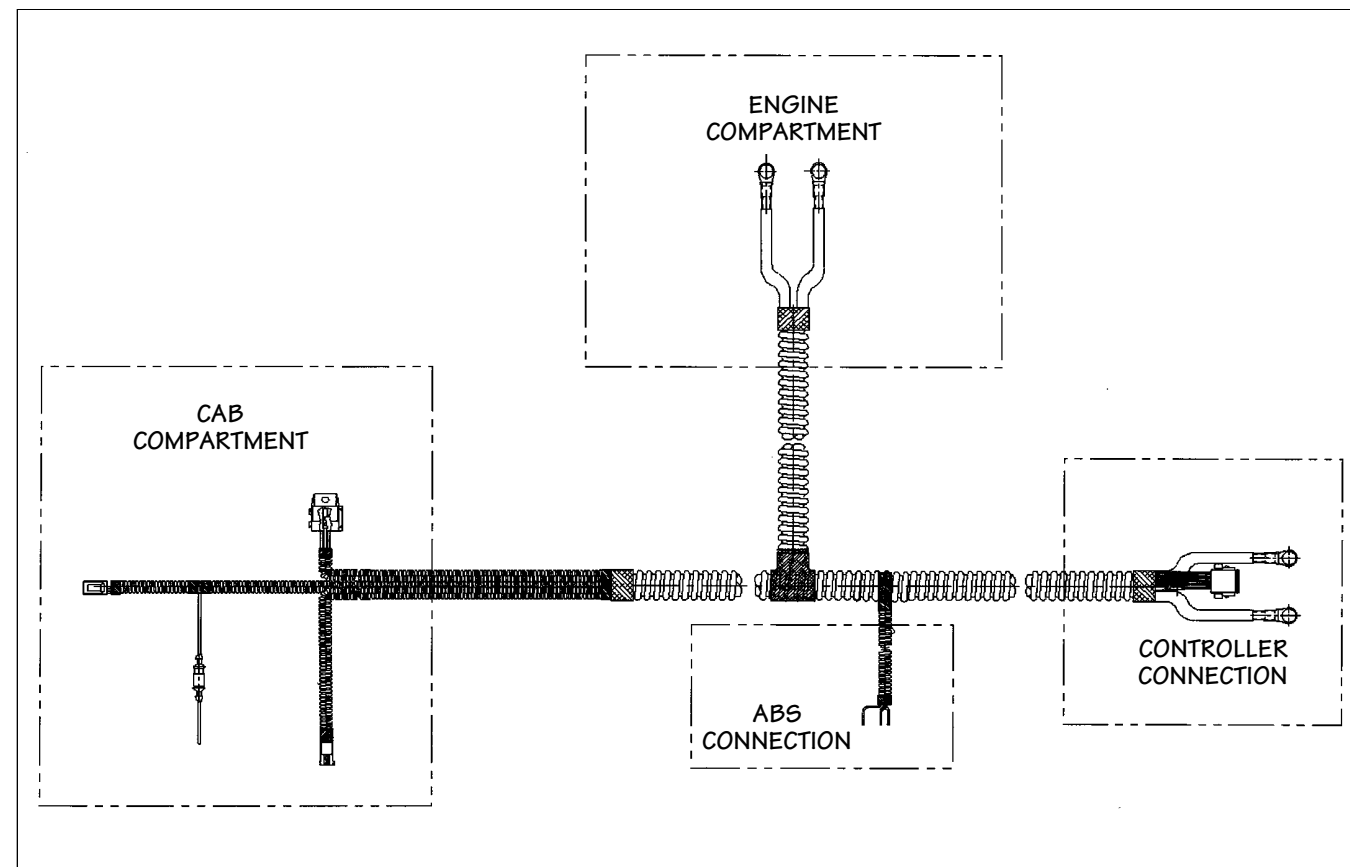


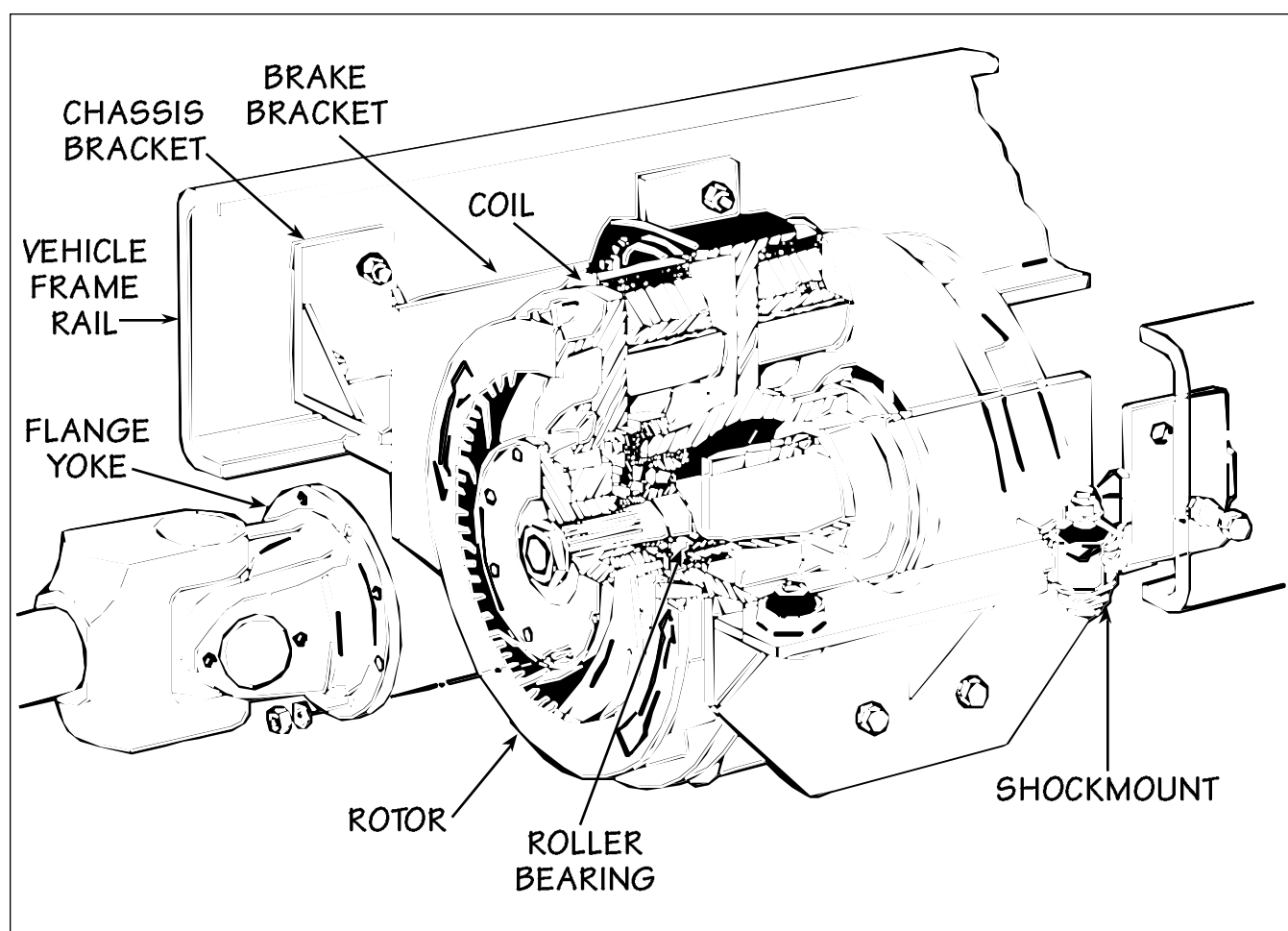
P/N 023443 Power Harness



P/N 023444 Control Harness

Jacobs Driveline Brake™ Ford E350 Installation Kit

PARTS MANUAL



Typical Jacobs Driveline Brake™ Installation

Ford E350 Installation Kits

- NO.**
1. FORD E350 KIT WB 138" (1997) STANDARD, P/N 023606

Part Number	DESCRIPTION	QTY
023622	FORD E350 SUB KIT (1997)	1
023608	DRIVESHAFT GROUP E350 - 1997 MOD. STANDARD	1

2. FORD E350 KIT WB 138" (1996) STANDARD, P/N 023607

Part Number	DESCRIPTION	QTY
023621	FORD E350 SUB KIT (1996)	1
023608	DRIVESHAFT GROUP E350 - 1997 MOD. STANDARD	1

3. FORD E350 KIT WB 158" (1997) STANDARD, P/N 023609

Part Number	DESCRIPTION	QTY
023622	FORD E350 SUB KIT (1997)	1
023611	DRIVESHAFT GROUP E350 - 1997 MOD. STANDARD	1

4. FORD E350 KIT WB 158" (1996) STANDARD, P/N 023610

Part Number	DESCRIPTION	QTY
023621	FORD E350 SUB KIT (1996)	1
023611	DRIVESHAFT GROUP E350 - 1997 MOD. STANDARD	1

5. FORD E350 KIT WB 158" (1996) SUPER DUTY, P/N 023612

Part Number	DESCRIPTION	QTY
023621	FORD E350 SUB KIT (1996)	1
023614	DRIVESHAFT GROUP E350 - 1997 MOD. SUPER DUTY	1

- NO.**
6. FORD E350 KIT WB 158" (1997) SUPER DUTY, P/N 023613

Part Number	DESCRIPTION	QTY
023622	FORD E350 SUB KIT (1997)	1
023614	DRIVESHAFT GROUP E350 - 1997 MOD. SUPER DUTY	1

7. FORD E350 KIT WB 176" (1996) STANDARD, P/N 023615

Part Number	DESCRIPTION	QTY
023621	FORD E350 SUB KIT (1996)	1
023617	DRIVESHAFT GROUP E350 - 1997 MOD. STANDARD	1

8. FORD E350 KIT WB 176" (1997) STANDARD, P/N 023616

Part Number	DESCRIPTION	QTY
023622	FORD E350 SUB KIT (1997)	1
023617	DRIVESHAFT GROUP E350 - 1997 MOD. STANDARD	1

9. FORD E350 KIT WB 176" (1997) SUPER DUTY, P/N 023618

Part Number	DESCRIPTION	QTY
023622	FORD E350 SUB KIT (1997)	1
023620	DRIVESHAFT GROUP E350 - 1997 MOD. SUPER DUTY	1

10. FORD E350 KIT WB 176" (1996) SUPER DUTY, P/N 023619

Part Number	DESCRIPTION	QTY
023621	FORD E350 SUB KIT (1996)	1
023620	DRIVESHAFT GROUP E350 - 1997 MOD. SUPER DUTY	1

Ford E350 Subkits

- NO.**
1. FORD E350 SUB KIT (1996), P/N 023621

Part Number	DESCRIPTION	QTY
023600	BRACKET GROUP E350 - (1997) MOD.	1
023603	CONTROLS GROUP E350 - (1996) MOD.	1
023605	WIRE HARNESS GROUP E350 - (1997) MOD.	1
023720	CUSTOMER INFORMATION GROUP E350	1

- NO.**
2. FORD E350 SUB KIT (1997), P/N 023622

Part Number	DESCRIPTION	QTY
023600	BRACKET GROUP E350 - (1997) MOD.	1
023604	CONTROLS GROUP E350 - (1997) MOD.	1
023605	WIRE HARNESS GROUP E350 - (1997) MOD.	1
023720	CUSTOMER INFORMATION GROUP E350	1

Ford E350 Groups

- NO.**
1. BRACKET GROUP E350 - (1997) MOD., P/N 023600

Part Number	DESCRIPTION	QTY
023602	SHOCKMOUNT GROUP	1
023474	R.H. BRAKE BRACKET	1
023475	L.H. BRAKE BRACKET	1
023478	L.H. CHASSIS BRACKET	1
023479	R.H. CHASSIS BRACKET	1
023601	BRACKET ATTACHING GROUP	1

2. BRACKET ATTACHING GROUP, P/N 023601

Part Number	DESCRIPTION	QTY
023542	5/8 DIA. LOCK WASHER	8
023543	5/8 DIA. BOLT	8
023544	5/8 DIA. NUT	8

3. SHOCKMOUNT GROUP, P/N 023602

Part Number	DESCRIPTION	QTY
023459	SHOCKMOUNT	8
023545	3/4 DIA. NUT	4
023546	3/4 I.D. SPLIT LOCK WASHER	4
023547	3/4 DIA. BOLT	4
023550	3/4 I.D. SNUBBING WASHER	4

4. CONTROLS GROUP E350 - (1996) MOD., P/N 023603

Part Number	DESCRIPTION	QTY
23107	CONTROLLER	1
23624	CONTROLLER BRACKET GROUP	1
23641	LIGHT DISPLAY GROUP	1
23425	MECHANICAL FOOT CONTROL	1
23142	FOOT CONTROL BRACKET	1

5. CONTROLS GROUP E350 - (1997) MOD., P/N 023604

Part Number	DESCRIPTION	QTY
23107	CONTROLLER	1
23624	CONTROLLER BRACKET GROUP	1
23641	LIGHT DISPLAY GROUP	1
23425	MECHANICAL FOOT CONTROL	1
23424	FOOT CONTROL BRACKET	1

6. WIRE HARNESS GROUP E350 - (1997) MOD., P/N 023605

Part Number	DESCRIPTION	QTY
23444	CONTROL HARNESS	1
23443	POWER HARNESS	1
23537	WIRE TIE 15.5"	10
23538	WIRE TIE 8"	17
23592	JUMPER CABLE - GROUND	3

- NO.**
7. CONTROLLER BRACKET GROUP, P/N 023624

Part Number	DESCRIPTION	QTY
023456	CONTROLLER BRACKET	2
023583	5/16 DIA. SPLIT LOCK WASHER	4
023584	5/16 DIA. NUT	4
023585	5/16 DIA. BOLT	4
023586	1/2 DIA. BOLT	2
023587	1/2 DIA. NUT	2
023588	1/2 DIA. SPLIT LOCK WASHER	2

8. DRIVESHAFT GROUP E350 - (1997) MOD. WD 138" STD., P/N 023608

Part Number	DESCRIPTION	QTY
023466	FRONT DRIVESHAFT	1
023591	REAR DRIVESHAFT	1

9. DRIVESHAFT GROUP E350 - (1997) MOD. WB 158" STD., P/N 023611

Part Number	DESCRIPTION	QTY
023450	FRONT DRIVESHAFT	1
023579	REAR DRIVESHAFT	1

10. DRIVESHAFT GROUP E350 - (1997) MOD. WD 158" SUP., P/N 023614

Part Number	DESCRIPTION	QTY
23450	FRONT DRIVESHAFT	1
23590	REAR DRIVESHAFT	1

11. DRIVESHAFT GROUP E350 - (1997) MOD. WD 176" STD., P/N 023617

Part Number	DESCRIPTION	QTY
23448	FRONT DRIVESHAFT	1
23579	REAR DRIVESHAFT	1

12. DRIVESHAFT GROUP E350 - (1997) MOD. WD 176" SUP., P/N 023620

Part Number	DESCRIPTION	QTY
23488	FRONT DRIVESHAFT	1
23590	REAR DRIVESHAFT	1